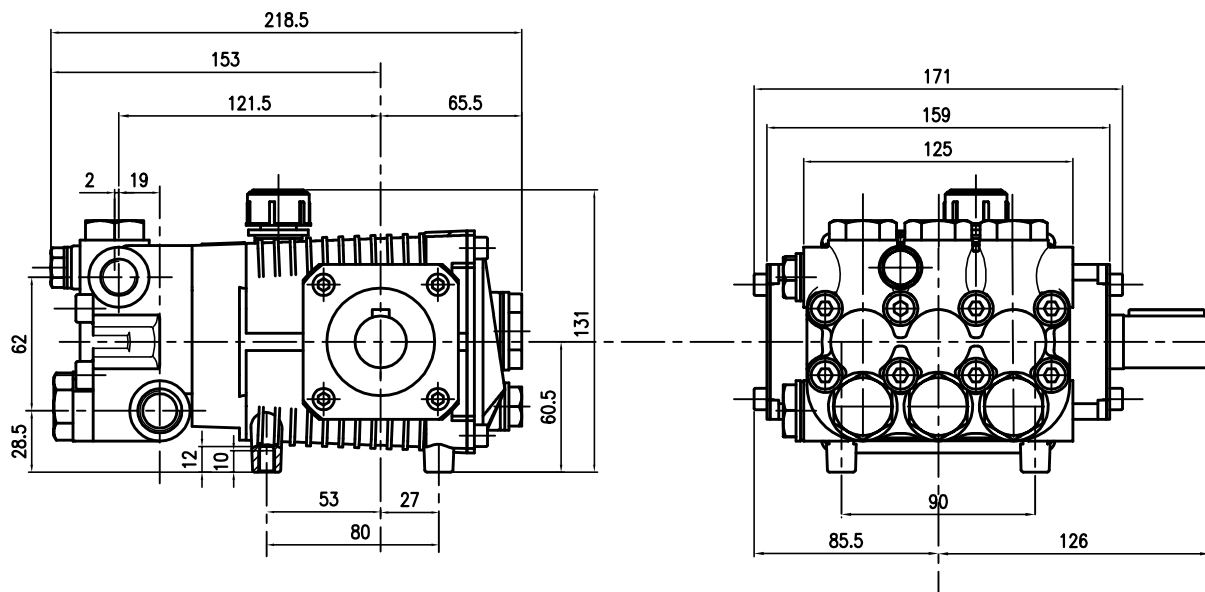


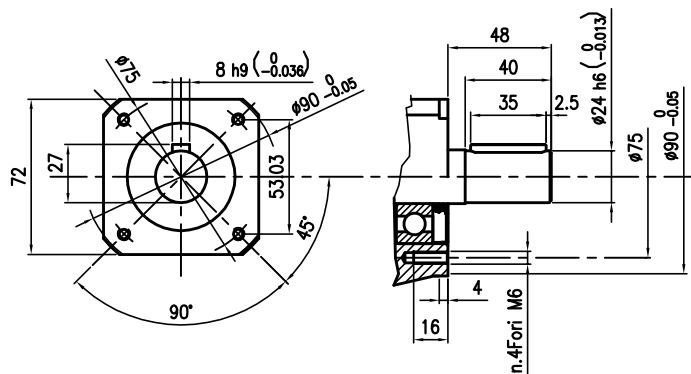
Pump Pompe Pumpen Pompa	Pressure Pression Druck Pressione		Volume Débit Leistung Portata		RPM tours/min u.p.m. giri/min	Required HP Puissance HP Leistung HP Potenza HP	Inlet port Entrée Eingang Aspirazione	Outlet Sortie Ausgang Mandata
	bar	PSI	l/min	GPM				
HD8515	150	2200	8.5	2.2	1450	3.2	G 1/2	G 3/8
HD1015	150	2200	10.0	2.6	1450	3.7	G 1/2	G 3/8
HD1115	150	2200	11.0	2.9	1450	4.3	G 1/2	G 3/8
HD1215	150	2200	12.0	3.1	1450	4.6	G 1/2	G 3/8
HD1315	150	2200	13.0	3.4	1450	5.0	G 1/2	G 3/8
HD1415	150	2200	14.0	3.7	1450	5.4	G 1/2	G 3/8

Dimensioni d'ingombro

Overall dimensions



HD8515-HD1015-HD1115-HD1215-HD1315-HD1415



HAWK HD 150 BAR

PARTS LIST

Pos. Item	Codice Part Number	Description	Descrizione	Q.tà per ogni Pompa Q.ty for each Pump	HD8515RL	HD1015RL	HD1115RL	HD1215RL	HD1315RL	HD1415RL
25	1801.12	Screw	Vite M6x16	12						
26	0203.18	Bearing cover	Coperchio cuscinetto	2						
27	0205.02	Bearing seal	Cappellotto cuscinetto	1	■	■	■	■	■	■
28	1500.03	Snap ring	Anello Ø25	1						
29	0213.00	Ball bearing	Cuscinetto a sfere	2						
30	0006.05	Crankshaft	Albero eccentrico	1						■
	0006.06	Crankshaft	Albero eccentrico	1	■					
	0006.08	Crankshaft	Albero eccentrico	1		■				
	0006.10	Crankshaft	Albero eccentrico	1			■			
	0006.11	Crankshaft	Albero eccentrico	1				■		
	0006.12	Crankshaft	Albero eccentrico	1					■	
31	0206.04	Crankshaft key	Chiavetta	1						
32	1600.14	Oil dip stick	Tappo livello olio	1						
33	0001.10	Crankshaft seal	Anello radiale	1						
*34	0302.11	Plunger nut	Dado pistone	3						
*35	1400.06	Copper spacer	Rosetta Ø 9,2/13,5x0,5	3						
*36	1200.22	Plunger 18 mm	Pistone Ø18	3						
*37	1400.27	Copper spacer	Rosetta rame	3						
*38	0601.30	"O" Ring Ø1.78x5.28	"O" Ring Ø1.78x5.28	3						
*39	0009.13	Teflon ring	Anello antiestrusione	3						
*40	0003.20	Plunger rod	Asta pistone	3	■	■	■	■	■	■
*41	1502.04	Connecting rod pin	Spinotto	3						
*42	0100.08	Connecting rod	Biella completa	3						
*43	1401.02	Spring washer	Rosetta elastica Ø6	6						
*44	1801.32	Connecting rod screw	Vite M6x30	6						
45	0700.05	Sight glass	Spia livello olio G3/4	1						
46	0603.02	Gasket	Guarnizione G3/8	1						
47	0203.52	Crankcase cover	Coperchio	1						
48	0601.04	"O" Ring Ø2.62x107.62	"O" Ring Ø2.62x107.62	1						

■ Part available
in kit only

* Part available
in kit also

**Particolare disponibile
solo in kit**

**Particolare disponibile
anche in kit**