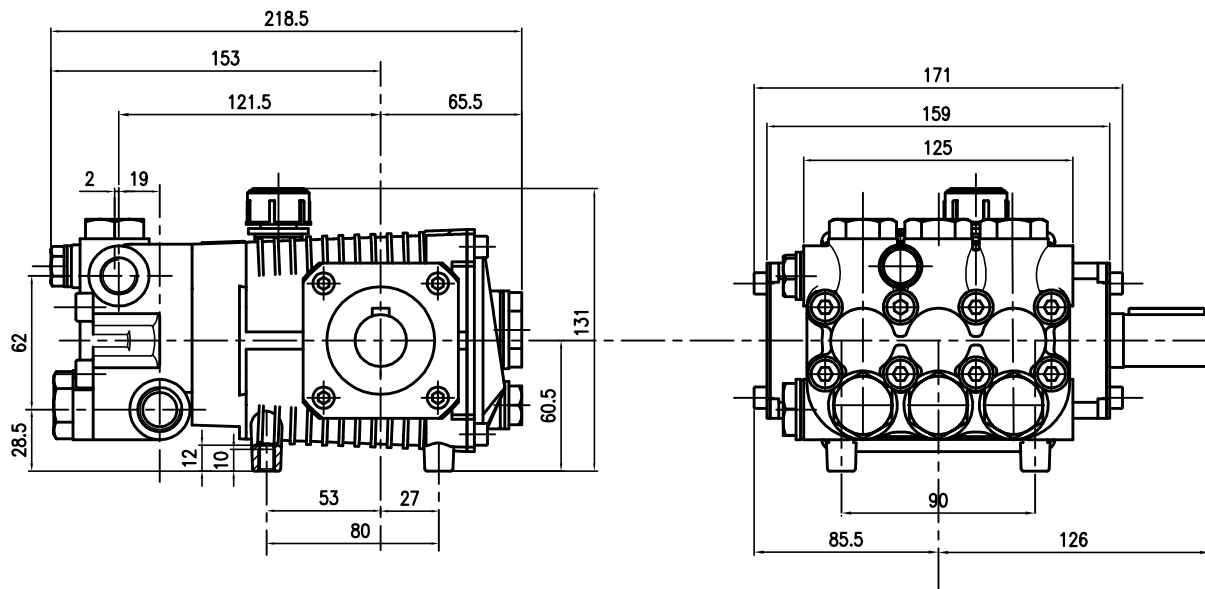


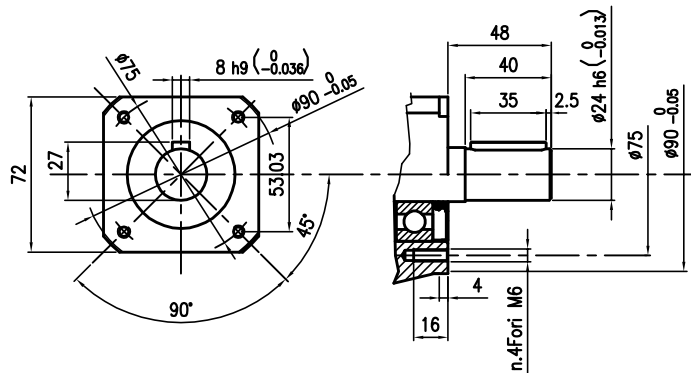
Pump Pompe Pumpen Pompa	Pressure Pression Druck Pressione		Volume Débit Leistung Portata		RPM tours/min u.p.m. giri/min	Required HP Puissance HP Leistung HP Potenza HP	Inlet port Entrée Eingang Aspirazione	Outlet Sortie Ausgang Mandata
	bar	PSI	l/min	GPM				
HD1017	170	2500	10.0	2.7	2800	4.4	G 1/2	G 3/8
HD1117	170	2500	11.0	2.9	2800	4.8	G 1/2	G 3/8
HD1217	170	2500	12.5	3.3	2800	5.4	G 1/2	G 3/8
HD1417	170	2500	14.0	3.7	2800	6.1	G 1/2	G 3/8

Dimensioni d'ingombro

Overall dimensions



HD1017-HD1117-HD1217-HD1417



Lubrificazione: Olio SAE 20/40W
Capacità 0.4 Litri

Lubrication: SAE 20/40W Oil
Capacity 0.4 Litri

HAWK HD PUMPS SERIES 170 BAR

PARTS LIST

Pos. Item	Codice Part Number	Description	Descrizione	Q.tà per ogni Pompa Q.ty for each Pump	HD1017RL	HD1117RL	HD1217RL	HD1417RL
27	1801.12	Screw	Vite M6x16	12				
28	0203.18	Bearing cover	Coperchio cuscinetto	2				
29	0205.02	Bearing seal	Cappello cuscinetto	1	■	■	■	■
30	1500.03	Snap ring	Anello Ø25	1				
31	0213.00	Ball bearing	Cuscinetto a sfere	2				
32	0006.06	Crankshaft	Albero eccentrico	1	■			
	0006.07	Crankshaft	Albero eccentrico	1		■		
	0006.09	Crankshaft	Albero eccentrico	1			■	
	0006.10	Crankshaft	Albero eccentrico	1				■
33	0206.04	Crankshaft key	Chiavetta	1				
34	1600.14	Oil dip stick	Tappo livello olio	1				
35	0001.10	Crankshaft seal	Anello radiale	1				
*36	0302.11	Plunger nut	Dado pistone	3				
*37	1400.06	Copper spacer	Rosetta Ø 9,2/13,5x0,5	3				
*38	1200.23	Plunger 15mm	Pistone Ø15	3				
*39	1400.27	Copper spacer	Rosetta rame	3				
*40	0601.30	"O" Ring Ø1.78x5.28	"O" Ring Ø1.78x5.28	3				
*41	0009.13	Teflon ring	Anello antiestrusione	3				
*42	0003.20	Plunger rod	Asta pistone	3	■	■	■	■
*43	1502.04	Connecting rod pin	Spinotto	3				
*44	0100.08	Connecting rod	Biella completa	3				
*45	1401.02	Spring washer	Rosetta elastica Ø6	6				
*46	1801.32	Connecting rod screw	Vite M6x30	6				
47	0700.05	Sight glass	Spia livello olio G3/4	1				
48	0603.02	Gasket	Guarnizione G3/8	1				
49	0203.52	Crankcase cover	Coperchio	1				
50	0601.04	"O" Ring Ø2.62x107.62	"O" Ring Ø2.62x107.62	1				

		Part available in kit only
--	--	-------------------------------

**Particolare disponibile
solo in kit**

		*	Part available in kit also
--	--	---	-------------------------------

**Particolare disponibile
anche in kit**